

## 2U Scavenger Fan Tray

Developed to mount into the bottom 2U of the cabinet the scavenger fan tray has been designed to pull cold air from either the floor void or from the local ambient environment.



With the top perforated area of the fan tray protruding through the front 19-inch mounting angles the unit feeds air into a chimney created by a solid door, side panels, vertical baffles and equipment mounted in the cabinet. Any unused 19-inch apertures need to be blanked off to maximise cooling efficiency.

Ideal for scenarios where the air flow to the cabinet is restricted due to either;

- i) the remote location of the cabinet in relation to the CRAC unit (Computer Room Air Conditioning).
- ii) where the velocity of the air from the CRAC unit is too high causing the air to bypass the cabinet location providing ineffective cold air feed.

In such cases the scavenger unit is capable of greatly improving the air feed characteristics of the cabinet.

### Technical Specifications

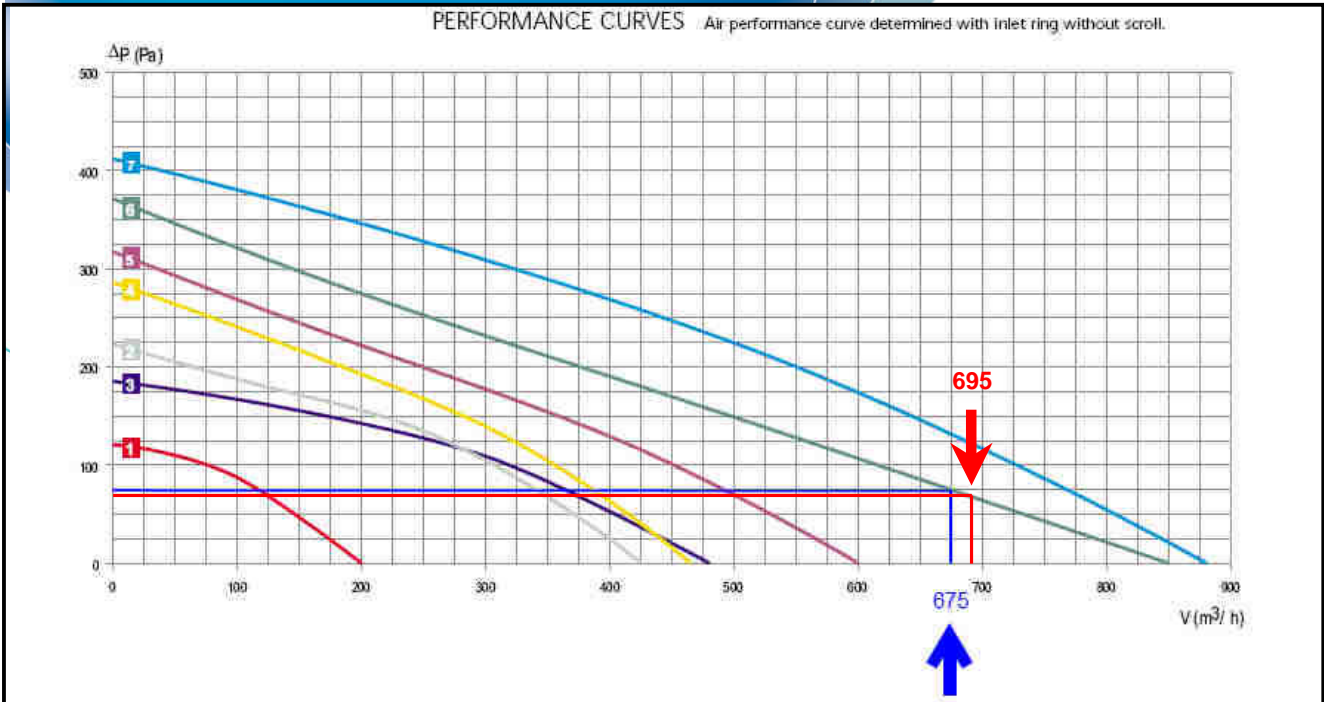
<b>Height</b>	<b>2U (88.1mm)</b>
<b>Width</b>	<b>482.6mm Wide (over mounting lugs) 432.6mm Wide (over plenum chamber)</b>
<b>Depth</b>	<b>463.0mm</b>
<b>Protrusion Through 19-inch Mounting Facility</b>	<b>100.0mm</b>
<b>Mounting Range</b>	<b>EIA 310D 19-inch Compliant 420.0mm Min 675.0mm Max</b>
<b>Unit Weight</b>	<b>8.1kg</b>
<b>Material</b>	<b>1.5mm Mild Steel</b>
<b>Finish</b>	<b>Painted Black RAL9005</b>
<b>Power Indicator</b>	<b>LED lit green when power is present.</b>
<b>Lead Type</b>	<b>Supplied with IEC 320 (10amp) to UK 3-Pin (BS1363) lead.</b>
<b>Warranty</b>	<b>12 Months</b>

	Description	Electrical Supply	Order Code	Air Flow Characteristics
	2U Scavenger Fan Tray Assembly	220v A/C 50Hz	RMHPFU230	675m <sup>3</sup> /Hour
		110v A/C 60Hz	RMHPFU120	695m <sup>3</sup> /Hour
<b>Compliance</b>	<b>WEEE Directive. RoHS Compliant CE Approved</b>			

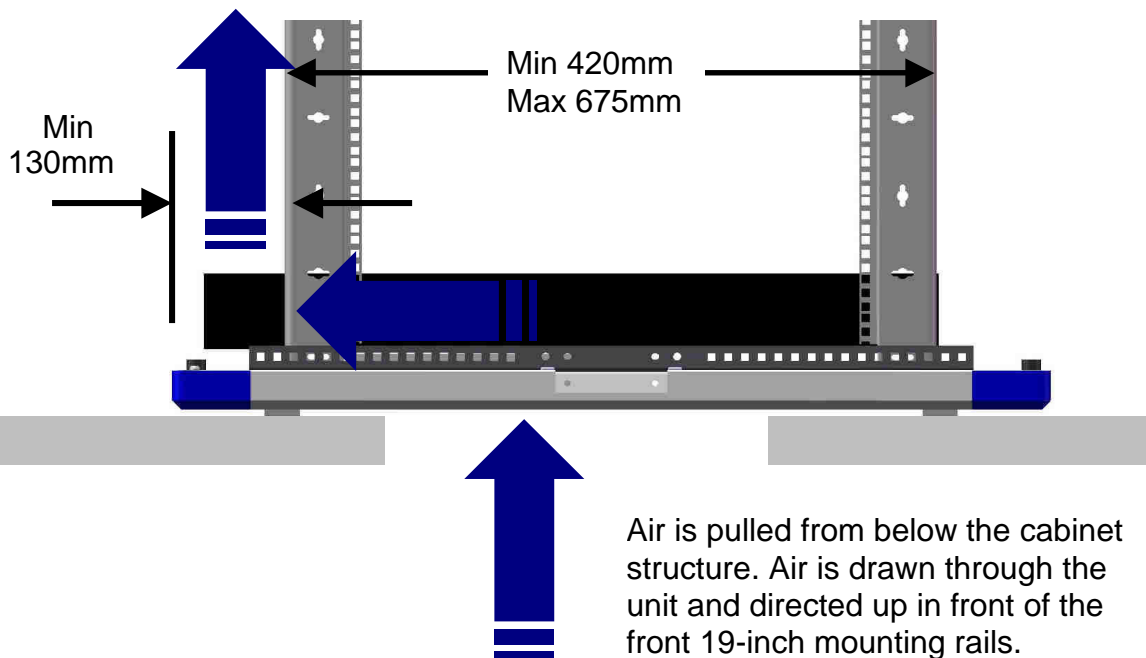


# New Product Release

## Air Flow Characteristics



### Unit Mounting and Air Flow Schematic.



Kalkenstraat 91-93 B-8800 Roeselare (Roulers) - Belgium

Tel. +32(0)51/25.06.10 Fax +32(0)51/24.02.57

Email: edp@eldeco.be website: www.rack19.be or www.eldeco.be or www.eldeco-edp.eu