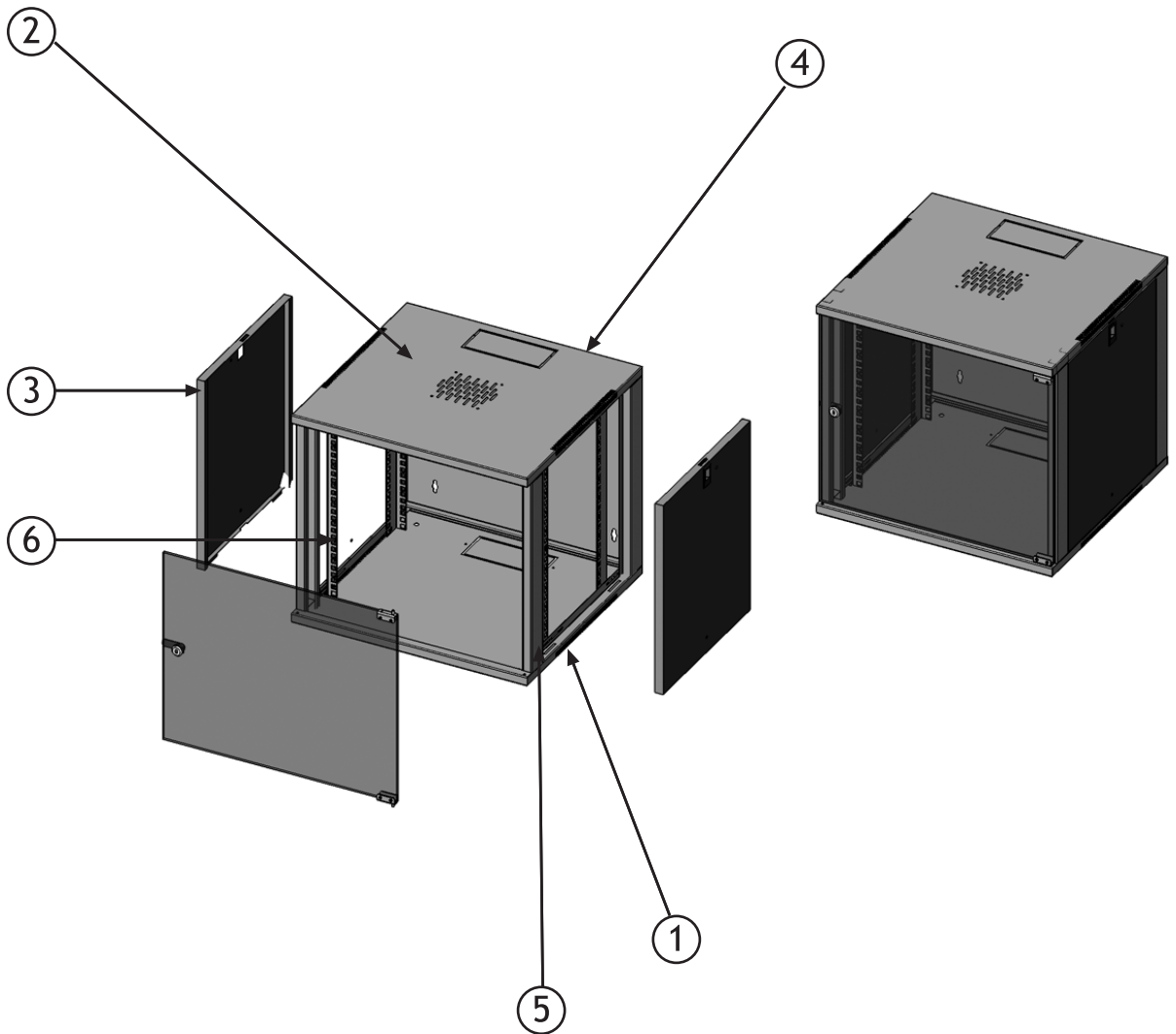


19" Wall-mounted Cabinets

6U, 10U, 12U, 15U, 20U, 25U



MODEL G

1. BASE
2. COVER
3. SIDE PANEL
4. BACK
5. FRONT PROFILE
6. MOUNTING ANGLE

CATALOG NO.	HEIGHT (UNITS)	HEIGHT (MM)	WIDTH (MM)	DEPTH (MM)
24 19 06 30 51	6	313	530	300*
24 19 06 40 50	6	313	539	400
24 19 06 40 53	6	313	539	450**
24 19 10 40 51	10	491	530	400*
24 19 10 50 50	10	491	539	500
24 19 10 40 53	10	491	539	450**
24 19 12 40 51	12	580	530	400*
24 19 12 50 50	12	580	539	500
24 19 12 40 53	12	580	539	450**
24 19 15 40 51	15	713	530	400*
24 19 15 50 50	15	713	539	500
24 19 20 50 50	20	935	539	500
24 19 25 50 50	25	1158	539	500

* Fixed sides

** 3 Parts